
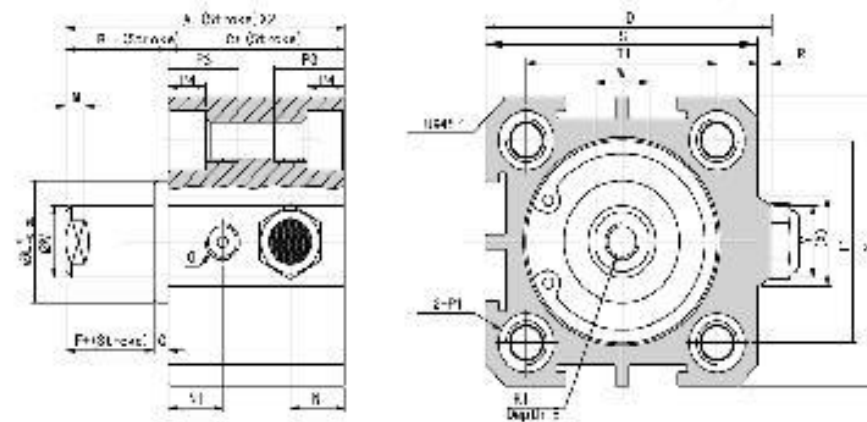
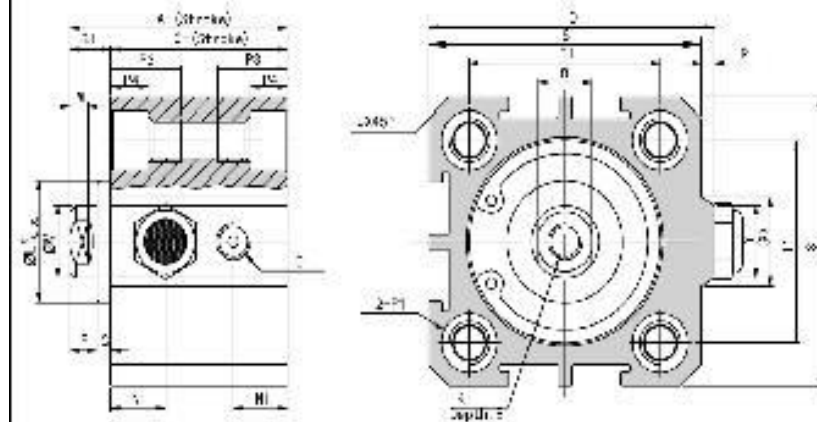
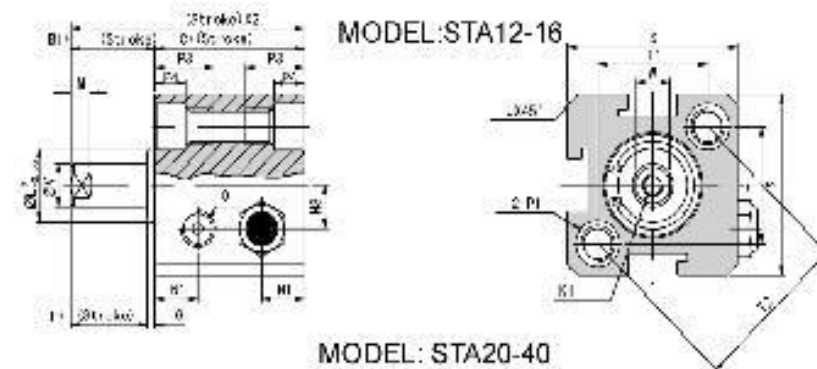
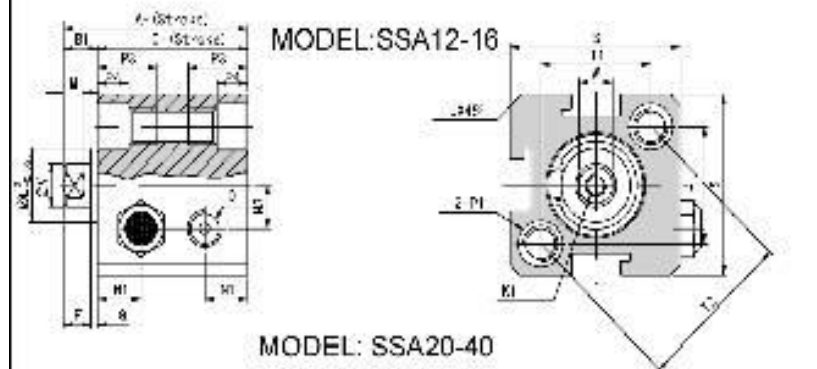


Click Picture to get dimensions & specifications									
Order Numbering System	1		2	3	4	5	6	7	8
	Model	Type	Bore Size (mm)	Stroke Length (mm)	Mounting Hardware	Magnetic Piston	Reed Switch	Standard Seal	Shaft Thread
	S	SA: Single Acting DA: Double Acting	12 16 20 25 32 40 50 63 80 100	5 to 150	LB: Bottom Mount FA: Front/Back Flange CA: CLEVIS BRACKET with PIN CB: CLEVIS BRACKET with PIN TC: SWING BRACKET I: ROD CLEVIS with PIN Y: ROD CLEVIS with PIN (See below for picture)	NM: No Magnet M: Magnetic Piston	R: Reed Switch	B: Buna-N Seal, V: Viton Seal,	F: Female Thread M: Male Thread

Mounting Hardware	FOOT REST	FRONT/REAR FLANGE Mount	CLEVIS BRACKET with PIN	CLEVIS BRACKET with PIN	SWING BRACKET	ROD CLEVIS with PIN	ROD CLEVIS with PIN
Part No.	LB	FA	CA	CB	TC	I	Y
							
Reed Switches	Hall Effect Position Sensor						

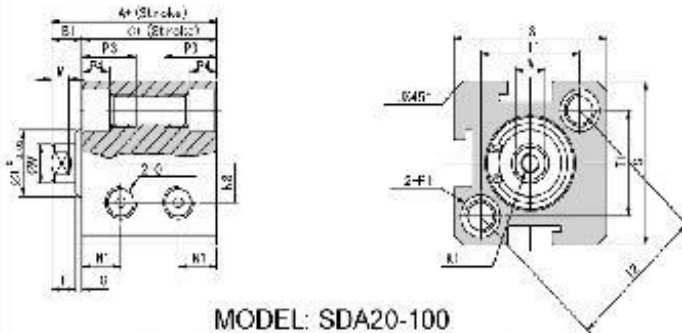
SSA/STA Series Single Acting Compact Cylinder Dimensions



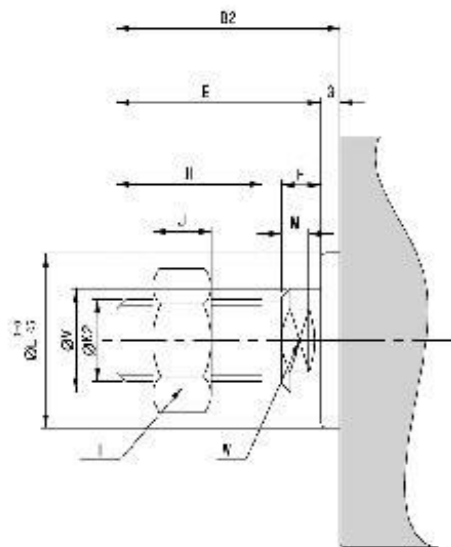
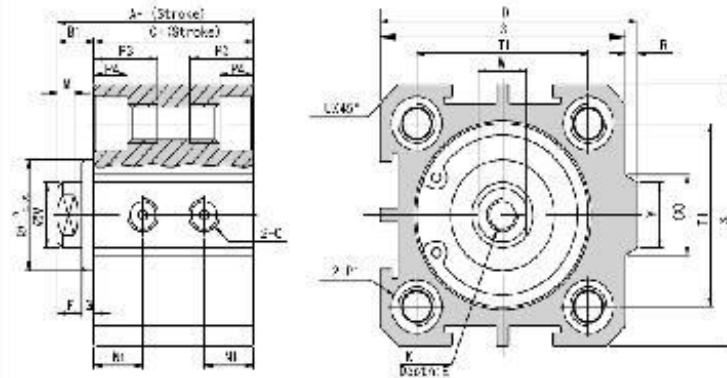
TYPE BORE/ SYMBOL/ STROKE	STANDARD TYPE			ATTACHMAGNET										P1	P3	P4	R	S	T1	T2	U	V	W	X	Y							
	A		B1	C		A		B1	C		D	E	F													G	K1	L	M	N1	N3	O
	=10	>10		=10	>10	=10	>10		=10	>10																						
12	32	42	5	27	37	42	52	5	37	47	-	6	4	1	M3X0.5	10.2	2.8	6.3	6	M5X0.8	12	4.5	-	25	16.2	23	1.6	6	5	-	-	
16	34	44	5.5	28.5	38.5	44	54	5.5	38.5	48.5	-	6	4	1.5	M3X0.5	11	2.8	7.3	6.5	M5X0.8	12	4.5	-	29	19.8	28	1.6	6	5	-	-	
20	35	45	5.5	29.5	39.5	45	55	5.5	39.5	49.5	36	8	4	1.5	M4X0.7	16	2.8	7.5	-	M5X0.8	14	4.5	2	34	24	-	2.1	8	6	11.3	10	
25	37	47	6	34	41	47	57	6	41	51	42	10	4	2	M5X0.8	17	2.8	8	-	M5X0.8	15	5.5	2	40	28	-	3.1	10	8	12	10	
32	41.5	51.5	7	34.5	44.5	51.5	61.5	7	44.5	54.5	50	12	4	3	M6X1	22	2.8	9	-	1/8	16	5.5	6	44	34	-	2.15	12	10	18.3	15	
40	43	53	7	36	46	53	63	7	46	56	58.5	12	4	3	M8X1.25	28	2.8	10	-	1/8	20	7.5	6.5	52	40	-	2.25	16	14	21.3	16	

SDA Series Double Acting Compact Cylinder Dimensions

MODEL: SDA12-16



MODEL: SDA20-100



S DA	STANDARD TYPE			WITHMAGNET			D	E	F	G	K1	L
	A	B1	C	A	B1	C						
12	22	5	17	32	5	27	-	6	4	1	M3X0.5	10.2
16	24	5.5	18.5	34	5.5	28.5	-	6	4	1.5	M3X0.5	11
20	25	5.5	19.5	35	5.5	29.5	36	8	4	1.5	M4X0.7	16
25	27	6	21	37	6	34	42	10	4	2	M5X0.8	17
32	31.5	7	24.5	41.5	7	34.5	50	12	4	3	M6X1	22
40	33	7	26	43	7	36	58.5	12	4	3	M6X1.25	28
50	37	9	28	47	9	38	71.5	15	5	4	M10X1.5	38
63	41	9	32	51	9	42	84.5	15	5	4	M10X1.5	40
80	52	11	41	62	11	51	104	15	6	5	M14X1.5	45
100	63	12	51	73	12	61	124	18	7	5	M18X1.5	55

BORE	M	N1	N3	O	P1	P3	P4	R	S	T1	T2	U	V	W	X	Y
16	2.8	7.3	6.5	M5X0.8	12	4.5	-	29	19.8	28	1.6	6	5	-	-	
20	2.8	7.5	-	M5X0.8	14	4.5	2	34	24	-	2.1	8	6	11.3	10	
25	2.8	8	-	M5X0.8	15	5.5	2	40	28	-	3.1	10	8	12	10	
32	2.8	9	-	1.6	16	5.5	6	44	34	-	2.15	12	10	18.3	15	
40	2.8	10	-	1.6	20	7.5	6.5	52	40	-	2.25	16	14	21.3	16	
50	2.8	10.5	-	1.4	25	8.5	9.5	62	48	-	4.15	20	17	30	20	
63	2.8	11.8	-	1.4	25	8.5	9.5	75	60	-	3.15	20	17	28.7	20	
80	4	14.5	-	3.6	25	10.5	10	94	74	-	3.65	25	22	36	26	
100	4	20.5	-	3.6	30	13	10	114	90	-	3.65	32	27	35	26	

	B2	E	F	G	H	I	J	K2	L	M	V	W
12	17	16	4	1	10	8	4	M5X0.8	10.2	2.8	6	5
16	17.5	16	4	1.5	10	8	4	M5X0.8	11	2.8	6	5
20	20.5	19	4	1.5	13	10	5	M6X1	16	2.8	8	6
25	23	21	4	2	15	12	6	M10X1.25	17	2.8	10	8
32	25	22	4	3	15	17	6	M14X1.5	22	2.8	12	10
40	35	32	4	3	25	19	8	M18X1.5	28	2.8	16	14
50	37	33	5	4	25	27	11	M18X1.5	38	2.8	20	17
63	37	33	5	4	25	27	11	M22X1.5	40	2.8	20	17
80	44	39	6	5	30	32	13	M22X1.5	45	4	25	22
100	50	45	7	5	35	36	13	M26X1.5	55	4	32	27